

SD1 Series

General Purpose AC Variable Speed Inverter Drives



1 Phase 110/120V 50/60Hz **0.4~1.1kW** (0.5~1.4HP)

1 Phase 200/240V 50/60Hz **0.4~2.2kW** (0.5~3HP)

NEW 1 Phase 230V 50/60Hz **0.4~5.5kW** (0.5~7.5HP) 1 Phase Output

3 Phase 200/240V 50/60Hz **0.4~7.5kW** (0.5~10HP)

3 Phase 380/440V 50/60Hz **0.75~110kW** (1~150HP)

- IP20
- Torque Vector Control
- STO (safe torque off)
- Up to 150% Starting Torque
- Front Mounted RJ45 Socket (<2.2kW)
- Din Rail Mountable (<2.2kW)
- Fixed Keypad with Potentiometer (<2.2kW)
- Detachable Keypad (≥4kW)
- HDI Input (pulse)
- 2 Analogue Inputs
- 1/2 Analogue Outputs
- 2 Output Relays (>2.2kW)
- Transistor Output
- 4/5 Digital Inputs
- PNP/NPN Selectable
- In Built Modbus RTU / RS485
- PID Control as standard
- Internal DC Reactor (≥18.5kW)
- DC Injection Braking
- Internal Brake Chopper (≤37kW)
- Motor Auto-tune (static & dynamic)
- Internal C3 Filter (≥4kW), C3 Filter Option (<2.2kW)
- C1 & C2 Filter Options (entire range)
- Safety Circuit (SIL2/SIL3 - model dependant)
- CE, RoHS & Reach Compliant
- TUV Approved
- UL / cUL Approval on selected models
- 2 Year Warranty



Options & Ordering Codes

SD1 - 2.5A - 11	
Output Power kW (HP)	Input
0.4kW (0.5HP) 2.5A	110-120V
0.75kW (1HP) 4.2A	Single Phase
1.1kW (1.4HP) 5.8A	Output
	230VAC
	Three Phase

SD1 - 2.5A - 21	
Output Power kW (HP)	Input
0.4kW (0.5HP) 2.5A	200-240V
0.75kW (1HP) 4.2A	Single Phase
1.5kW (2HP) 7.5A	
2.2kW (3HP) 10A	

NEW SD1 - 4.2A - 21 - 1			
Output Power kW (HP)*	Input	Output	
0.4kW (0.5HP) 4.2A	230V	230V	
0.75kW (1HP) 7.5A	Single Phase	Single Phase	
1.5kW (2HP) 10.2A			
2.2kW (3HP) 14A			
3.7kW (5.5HP) 25A			
5.5kW (7.5HP) 35A			

SD1 - 2.5A - 23	
Output Power kW (HP)	Input
0.4kW (0.5HP) 2.5A	200-240V
0.75kW (1HP) 4.2A	Three Phase
1.5kW (2HP) 7.5A	
2.2kW (3HP) 10A	
4kW (5.5HP) 16A	
5.5kW (7.5HP) 20A	
7.5kW (10HP) 30A	

SD1 - 2.5A - 43	
Output Power kW (HP)	Input
0.75kW (1HP) 2.5A	380-400V
1.5kW (2HP) 4.2A	Three Phase
2.2kW (3HP) 5.5A	
4kW (5.5HP) 9.5A	
5.5kW (7.5HP) 14A	
7.5kW (10HP) 18.5A	
11kW (15HP) 25A	
15kW (20HP) 32A	
18.5kW (25HP) 38A	
22kW (30HP) 45A	
30kW (40HP) 60A	
37kW (50HP) 75A	
45kW (60HP) 92A	
55kW (75HP) 115A	
75kW (100HP) 150A	
90kW (125HP) 180A	
110kW (150HP) 215A	

* Please see p.3 for recommended max. motor ratings.

SD1 Series

General Purpose AC Variable Speed Inverter Drives

Options & Ordering Codes - Filters & Accessories

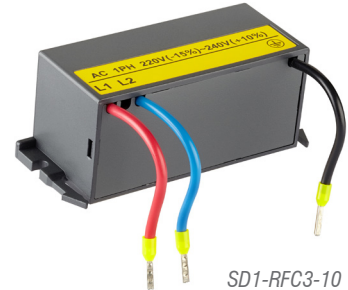
	Model	C3 Filter	Current	C2 Filter	Current
Single Phase 110V	SD1-2.5A-11	SD1-RFC3-10	10A	SD1-RFC2-10	10A
	SD1-4.2A-11	SD1-RFC3-10	10A	SD1-RFC2-25	25A
	SD1-5.8A-11	SD1-RFC3-10	10A	SD1-RFC2-25	25A
Single Phase 220V	SD1-2.5A-21	SD1-RFC3-10	10A	SD1-RFC2-10	10A
	SD1-4.2A-21	SD1-RFC3-10	10A	SD1-RFC2-10	10A
	SD1-7.5A-21	SD1-RFC3-10	10A	SD1-RFC2-16	16A
	SD1-10A-21	SD1-RFC3-10	10A	SD1-RFC2-16	16A

NEW

Single Phase Input Single Phase Output 230V	SD1-4.2A-21-1	SD1-RFC3-10	10A	SD1-RFC2-10	10A
	SD1-7.2A-21-1	SD1-RFC3-10	10A	SD1-RFC2-10	10A
	SD1-10.2A-21-1	SD1-RFC3-10	10A	SD1-RFC2-25	25A
	SD1-14A-21-1	SD1-RFC3-10	10A	SD1-RFC2-25	25A
	SD1-25A-21-1	Internal	-	SD1-RFC2-45	45A
	SD1-35A-21-1	Internal	-	SD1-RFC2-65	65A

Three Phase 220V	SD1-2.5A-23	SD1-RFC3-7	7A	SD1-RFC2-6	6A
	SD1-4.2A-23	SD1-RFC3-7	7A	SD1-RFC2-6	6A
	SD1-7.5A-23	Internal	-	SD1-RFC2-16	16A
	SD1-10A-23	Internal	-	SD1-RFC2-16	16A
	SD1-16A-23	Internal	-	SD1-RFC2-32	32A
	SD1-20A-23	Internal	-	SD1-RFC2-32	32A
	SD1-30A-23	Internal	-	SD1-RFC2-45	45A

Three Phase 380V	SD1-2.5A-43	SD1-RFC3-7	7A	SD1-RFC2-6	6A
	SD1-4.2A-43	SD1-RFC3-7	7A	SD1-RFC2-6	6A
	SD1-5.5A-43	SD1-RFC3-7	7A	SD1-RFC2-6	6A
	SD1-9.5A-43	Internal	-	SD1-RFC2-16	16A
	SD1-14A-43	Internal	-	SD1-RFC2-16	16A
	SD1-18.5A-43	Internal	-	SD1-RFC2-32	32A
	SD1-25A-43	Internal	-	SD1-RFC2-32	32A
	SD1-32A-43	Internal	-	SD1-RFC2-45	45A
	SD1-38A-43	Internal	-	SD1-RFC2-45	45A
	SD1-45A-43	Internal	-	SD1-RFC2-65	65A
	SD1-60A-43	Internal	-	SD1-RFC2-65	65A
	SD1-75A-43	Internal	-	SD1-RFC2-100	100A
	SD1-92A-43	Internal	-	SD1-RF52-100	100A
	SD1-115A-43	Internal	-	SD1-RFC2-150	150A
	SD1-150A-43	Internal	-	SD1-RFC2-150	150A
	SD1-180A-43	Internal	-	SD1-RFC2-240	240A
SD1-215A-43	Internal	-	SD1-RFC2-240	240A	



Model	Description
SD1-KP	Remote Keypad
SD1-KP-CPY	Remote Keypad with Copy Function
SD1-KP-MB	Remote Keypad Mounting Bracket



SD1 Series

General Purpose AC Variable Speed Inverter Drives



Technical Datasheet

Technical Specifications

	Model	Output Power		Input Current (A)	Output Current (A)	MCCB (A)	Cables (mm ²)	UL Approval
Single Phase 110V Three Phase 230V O/P	SD1-2.5A-11	0.4kW	0.5HP	8.1	2.5	20	4.0	YES
	SD1-4.2A-11	0.75kW	1.0HP	15.1	4.2	20	4.0	YES
	SD1-5.8A-11	1.1kW	1.4HP	20.0	5.8	30	4.0	YES

Single Phase 220V	SD1-2.5A-21	0.4kW	0.5HP	6.5	2.5	10.0	1.5	YES
	SD1-4.2A-21	0.75kW	1.0HP	9.3	4.2	16.0	1.5	YES
	SD1-7.5A-21	1.5kW	2.0HP	15.7	7.5	25.0	2.5	YES
	SD1-10A-21	2.2kW	3.0HP	24.0	10.0	40.0	2.5	YES

Three Phase 220V	SD1-2.5A-23	0.4kW	0.5HP	3.7	2.5	6.0	1.5	YES
	SD1-4.2A-23	0.75kW	1.0HP	5.0	4.2	10.0	1.5	YES
	SD1-7.5A-23	1.5kW	2.0HP	7.7	7.5	16.0	2.5	YES
	SD1-10A-23	2.2kW	3.0HP	11.0	10.0	25.0	2.5	YES
	SD1-16A-23	4kW	5.5HP	17.0	16.0	32.0	2.5	-
	SD1-20A-23	5.5kW	7.5HP	21.0	20.0	32.0	4	-
	SD1-30A-23	7.5kW	10HP	31.0	30.0	63.0	6	-

Three Phase 380V	SD1-2.5A-43	0.75kW	1.0HP	3.4	2.5	6.0	1.5	YES
	SD1-4.2A-43	1.5kW	2.0HP	5.0	4.2	10.0	1.5	YES
	SD1-5.5A-43	2.2kW	3.0HP	5.8	5.5	10.0	1.5	YES
	SD1-9.5A-43	4kW	5.5HP	13.5	9.5	25.0	2.5	YES
	SD1-14A-43	5.5kW	7.5HP	19.5	14.0	32.0	2.5	YES
	SD1-18.5A-43	7.5kW	10HP	25.0	18.5	40.0	4	YES
	SD1-25A-43	11kW	15HP	32.0	25.0	63.0	6	YES
	SD1-32A-43	15kW	20HP	40.0	32.0	63.0	6	-
	SD1-38A-43	18.5kW	25HP	47.0	38.0	100.0	10	-
	SD1-45A-43	22kW	30HP	51.0	45.0	100.0	16	-
	SD1-60A-43	30kW	40HP	70.0	60.0	125.0	25	-
	SD1-75A-43	37kW	50HP	80.0	75.0	160.0	25	-
	SD1-92A-43	45kW	60HP	98.0	92.0	200.0	35	-
	SD1-115A-43	55kW	75HP	128.0	115.0	200.0	50	-
	SD1-150A-43	75kW	100HP	139.0	150.0	250.0	70	-
SD1-180A-43	90kW	125HP	168.0	180.0	315.0	95	-	
SD1-215A-43	110kW	150HP	201.0	215.0	350.0	120	-	

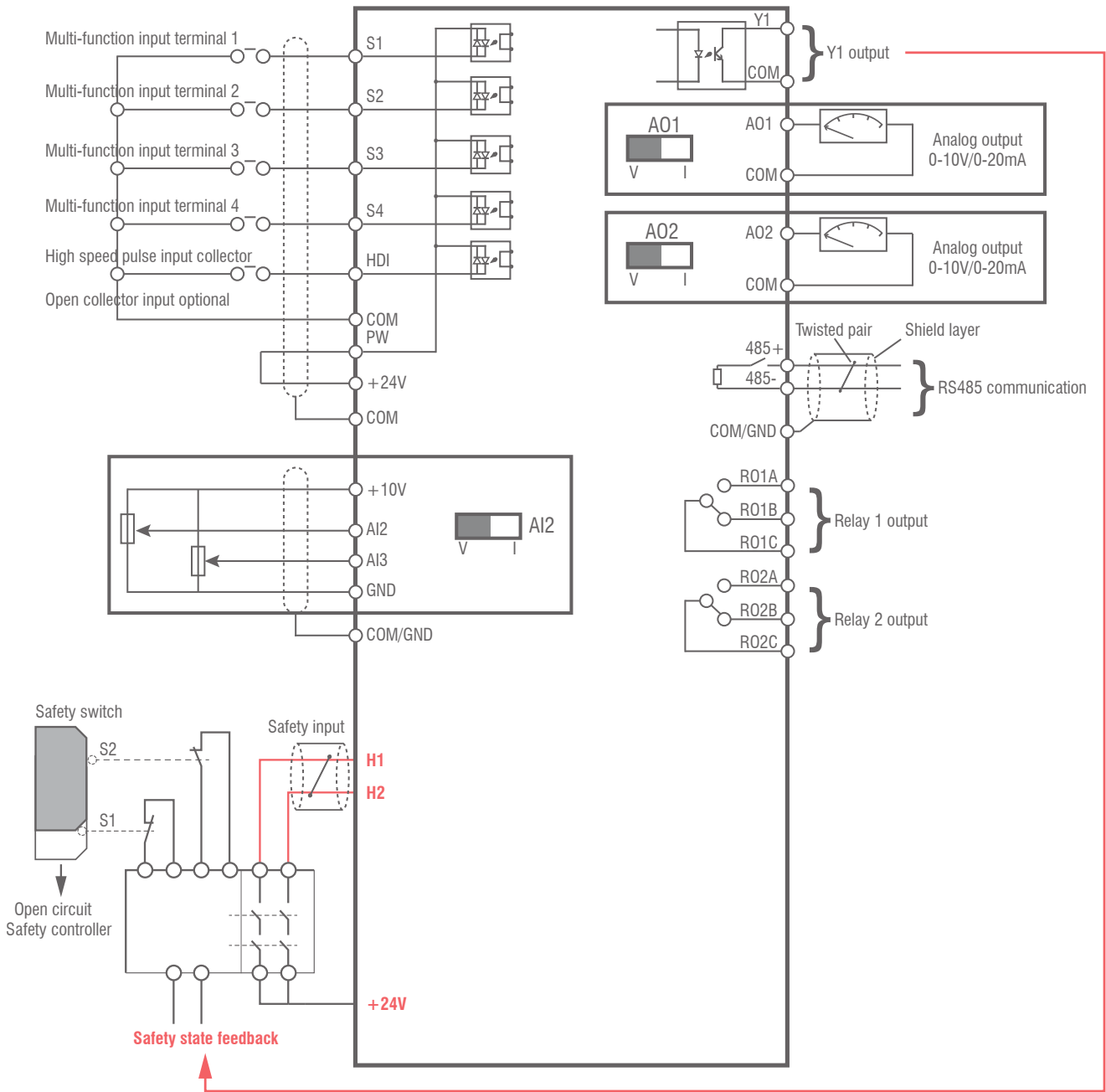
NEW

	Model	Output Power		Input Current (A)	Output Current (A)	MCCB (A)	Cables (mm ²)	Recommended Max. Motor Rating (kW)
Single Phase Input Single Phase Output 230V	SD1-4.2A-21-1	0.4kW	0.5HP	6.5	4.2	10.0	1.5	0.2
	SD1-7.2A-21-1	0.75kW	1.0HP	9.3	7.2	16.0	1.5	0.4
	SD1-10.2A-21-1	1.5kW	2.0HP	15.7	10.2	25.0	2.5	0.75
	SD1-14A-21-1	2.2kW	3.0HP	24.0	14.0	40.0	2.5	1.5
	SD1-25A-21-1	3.7kW	5.5HP	38.0	25.0	63.0	6.0	2.2
	SD1-35A-21-1	5.5kW	7.5HP	52.0	35.0	100.0	16.0	3.7

SD1 Series

General Purpose AC Variable Speed Inverter Drives

Power & Control Connections



NOTE: This is a typical circuit which, depending on the rating is subject to change. Please check the user manual for more details.

SD1 Series

General Purpose AC Variable Speed Inverter Drives



Technical Datasheet

Dimensions (mm)

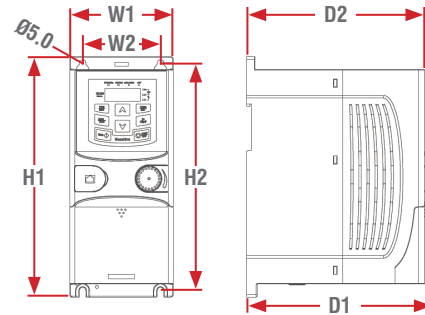
	Model	W1	W2	H1	H2	D1	D2
Single Phase 110V	SD1-2.5A-11	80	60	185	175	140.5	137.3
	SD1-4.2A-11	80	60	185	175	140.5	137.3
	SD1-5.8A-11	80	60	185	175	140.5	137.3
Single Phase 220V	SD1-2.5A-21	80	60	160	150	123.5	120.3
	SD1-4.2A-21	80	60	160	150	123.5	120.3
	SD1-7.5A-21	80	60	185	175	140.5	137.3
	SD1-10A-21	80	60	185	175	140.5	137.3

NEW

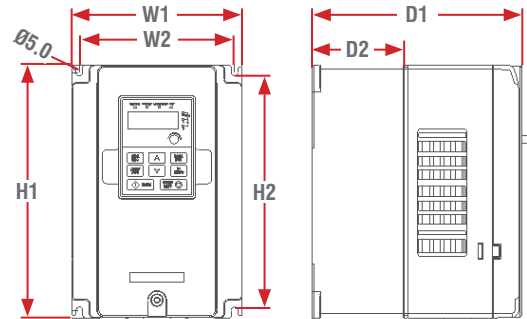
Single Phase Input Single Phase Output 230V	SD1-4.2A-21-1	80	60	160	150	123.5	120.3
	SD1-7.2A-21-1	80	60	185	175	140.5	137.3
	SD1-10.2A-21-1	80	60	185	175	140.5	137.3
	SD1-14A-21-1	170	151	320	303.5	196.3	113
	SD1-25A-21-1	170	151	320	303.5	196.3	113
	SD1-35A-21-1	200	185	340.6	328.6	184.3	104.5

Three Phase 220V	SD1-2.5A-23	80	60	185	175	140.5	137.3
	SD1-4.2A-23	80	60	185	175	140.5	137.3
	SD1-7.5A-23	146	131	256	243.5	167	84.5
	SD1-10A-23	146	131	256	243.5	167	84.5
	SD1-16A-23	146	131	256	243.5	167	84.5
	SD1-20A-23	170	151	320	303.5	196.3	113
SD1-30A-23	170	151	320	303.5	196.3	113	

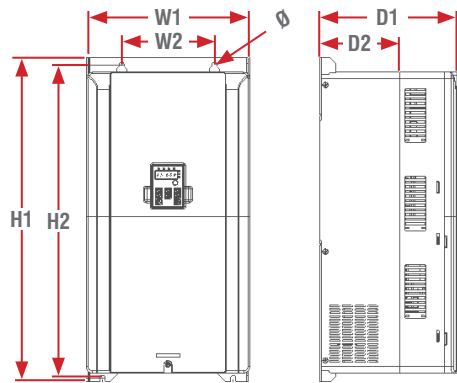
Three Phase 380V	SD1-2.5A-43	80	60	185	175	140.5	137.3
	SD1-4.2A-43	80	60	185	175	140.5	137.3
	SD1-5.5A-43	80	60	185	175	140.5	137.3
	SD1-9.5A-43	146	131	256	243.5	167	84.5
	SD1-14A-43	146	131	256	243.5	167	84.5
	SD1-18.5A-43	170	151	320	303.5	196.3	113
	SD1-25A-43	170	151	320	303.5	196.3	113
	SD1-32A-43	170	151	320	303.5	196.3	113
	SD1-38A-43	200	185	340.6	328.6	184.3	104.5
	SD1-45A-43	200	185	340.6	328.6	184.3	104.5
	SD1-60A-43	250	230	400	380	202	123.5
	SD1-75A-43	250	230	400	380	202	123.5
	SD1-92A-43	282	160	560	542	238	138
	SD1-115A-43	282	160	560	542	238	138
	SD1-150A-43	282	160	560	542	238	138
	SD1-180A-43	338	200	554	535	329.2	—
	SD1-215A-43	338	200	554	535	329.2	—



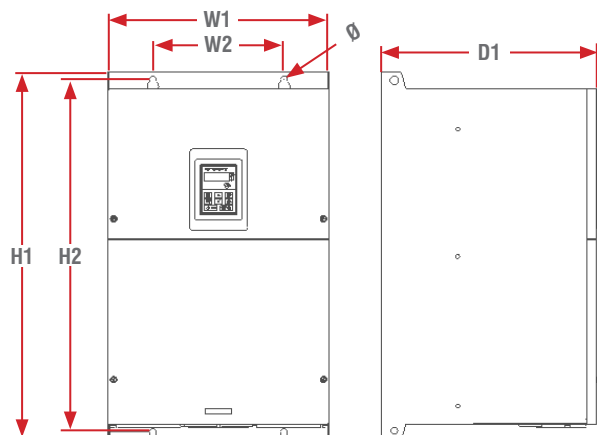
Wall mounting dimensions of 1PH 110V & 230V 0.4 to 2.2kW SD1 Inverter (unit: mm)



Wall mounting dimensions of 3PH 380V 0.4 to 37kW & 3PH 220V 1.5 to 7.5kW SD1 Inverter (unit: mm)



Wall mounting dimensions of 3PH 45 to 75kW SD1 Inverter (unit: mm)



Wall mounting dimensions of 3PH 380V 90 to 110kW SD1 Inverter (unit: mm)